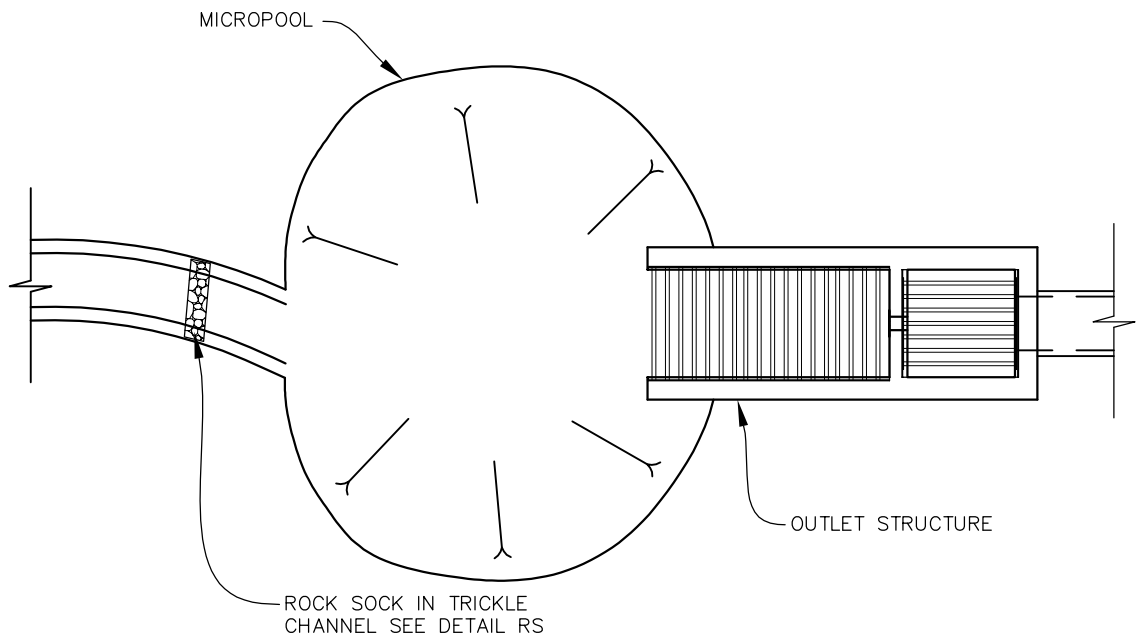
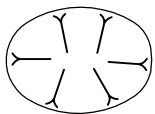


### FOREBAY



### OUTLET / MICROPOOL



### DETENTION POND PROTECTION

**DETENTION POND PROTECTION INSTALLATION NOTES**

1. DETENTION POND PROTECTION SHALL BE INSTALLED IMMEDIATELY FOLLOWING THE CONSTRUCTION OF THE TRICKLE CHANNEL AND FOREBAY.
2. CRUSHED ROCK SHALL BE 2.0”–3.0” IN SIZE WITH A FRACTURED FACE (ALL SIDES).
3. ROCK SOCK FOR OUTLET STRUCTURE AND FOREBAY PROTECTION SHALL BE ONE CONTINUOUS PIECE (SEE DETAIL RS).

**DETENTION POND PROTECTION INSPECTION AND MAINTENANCE NOTES**

1. THE EROSION CONTROL SUPERVISOR SHALL REGULARLY INSPECT THE OUTLET STRUCTURE PROTECTION.
2. ACCUMULATED SEDIMENT SHALL BE REMOVED IMMEDIATELY.
3. OUTLET STRUCTURE PROTECTION SHALL REMAIN IN PLACE AND PROPERLY MAINTAINED UNTIL VEGETATIVE COVER HAS REACHED A CONSISTENT DENSITY OF AT LEAST 70% OF FULL VEGETATIVE COVER AND EROSION AND SEDIMENTATION IS NO LONGER A POSSIBILITY AS DETERMINED BY THE TOWN’S INSPECTOR OR AS OTHERWISE DIRECTED BY THE TOWN’S INSPECTOR.