



Building Guide

Colorado Chapter of the International Code Council

Single Family Residential One Story Detached Garage

How to Use this Guide

Check with your jurisdiction regarding type of submittal (paper or electronic) and additional requirements. Draw to scale and complete the following (*hint: use graph paper with 1/4" squares. Example: 1/4" = 1'*).

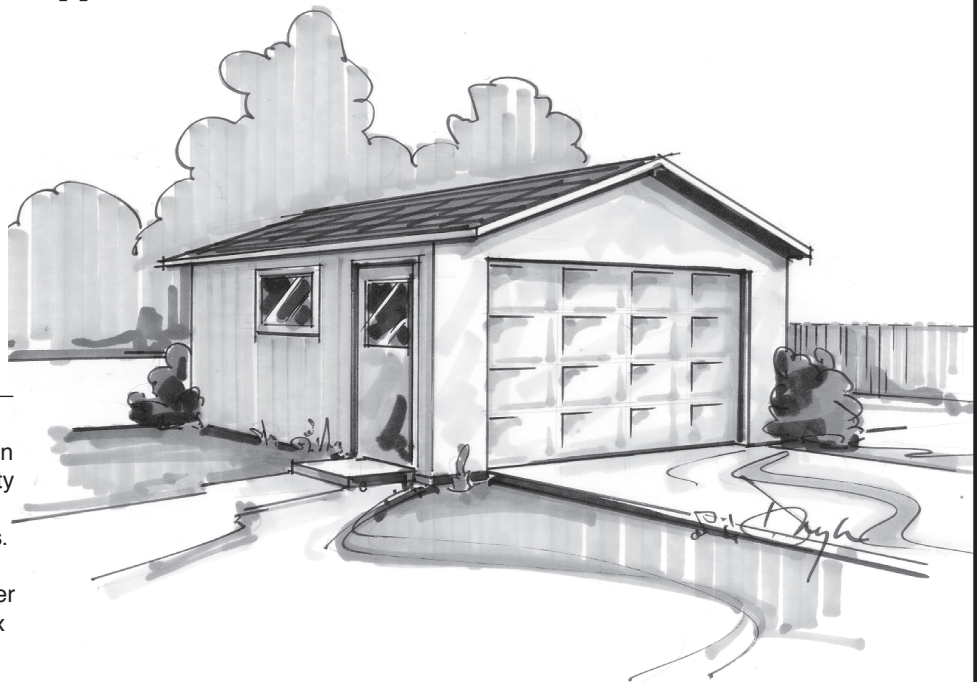
1 Complete this Building Guide by filling in the blanks on page two and four, and indicating which construction details will be used.

2 Provide 2 Plot Plans (site plan) showing dimensions of your project and its relationship to existing buildings or structures on the property and the distance to existing property lines, drawn to scale. See page3.

3 Fill out a building permit application.

The majority of permit applications are processed with little delay. The submitted documents will help determine if the project is in compliance with building safety codes, zoning ordinances and other applicable laws.

The Colorado Chapter of the International Code Council is a professional organization seeking to promote the public health, safety and welfare to building construction. We appreciate your feedback and suggestions. To obtain a master copy of this building guide, please write to the Colorado Chapter of the International Code Council, P.O. Box 961, Arvada, CO 80001.
<http://www.coloradochaptericc.org>



This handout was developed by the Colorado Chapter of the International Code Council as a basic plan submittal under the 2015 International Residential Code. It is not intended to cover all circumstances. Check with your Department of Building Safety for additional requirements.



PARKER
COLORADO

20120 Mainstreet, Parker, CO 80138
Phone 303-841-1970 email building@parkeronline.org

Single Family Residential One Story Detached Garage

Directions

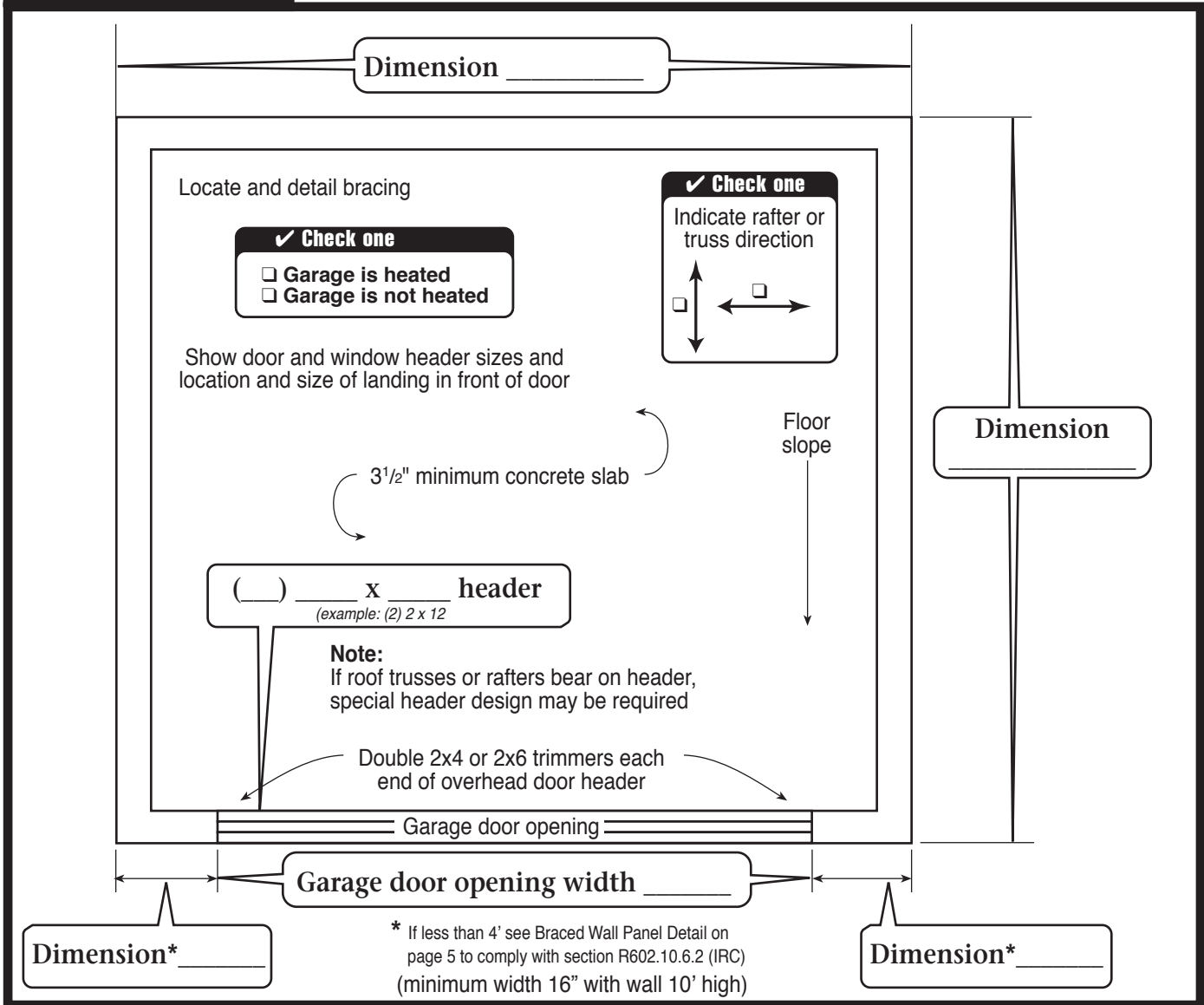
1. Fill in the blanks on pages 2 and 4 with dimensions and materials which will be used to build the structure. Please print legibly.

Address: _____

2. Indicate in the check boxes on page 4 which details from page 5 will be used.

Note: Heated garages will require insulation, such as ceilings, walls, and foundation.

Floor Plan



This handout was developed by the Colorado Chapter of the International Code Council as a basic plan submittal under the 2015 International Residential Code. It is not intended to cover all circumstances. Check with your Department of Building Safety for additional requirements.

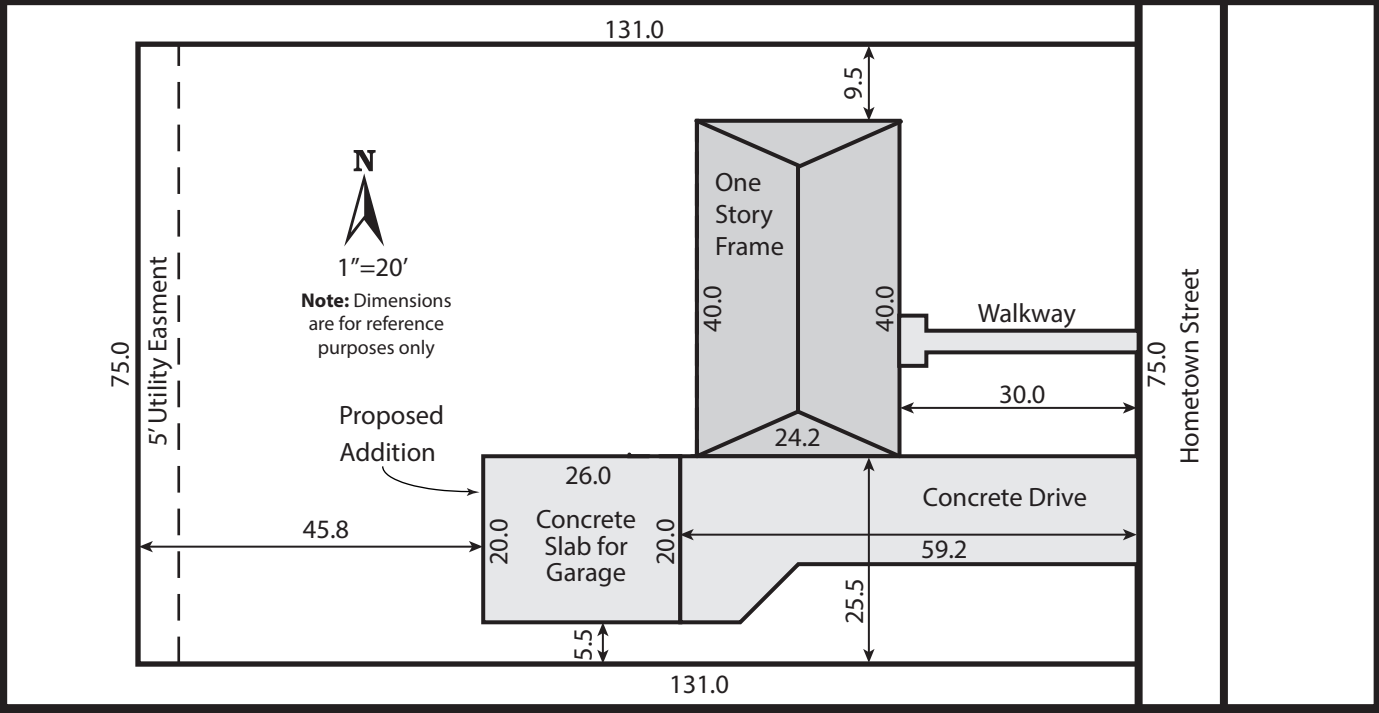


PARKER
COLORADO

20120 Mainstreet, Parker, CO 80138
Phone 303-841-1970 email building@parkeronline.org

Single Family Residential One Story Detached Garage

Site Plan Example



This handout was developed by the Colorado Chapter of the International Code Council as a basic plan submittal under the 2015 International Residential Code. It is not intended to cover all circumstances. Check with your Department of Building Safety for additional requirements.

PARKER
COLORADO

20120 Mainstreet, Parker, CO 80138
Phone 303-841-1970 email building@parkeronline.org

Single Family Residential One Story Detached Garage

Note: For roofs with slopes less than 4:12, follow manufacturer's instructions for low slope application of roofing material.

Truss or 2x _____ rafters spaced _____" O.C.
(example: Put checkmark in box -or- 2 x 10 Rafters Spaced 24")

Minimum 1x _____ ridge board
(example: 1 x 12)

Sheathing _____
(example: 1/2" exterior plywood)

Roof covering _____
(example: Class A 3 tab shingles)

Underlayment _____
(example: 1 layer #15 felt)

12 pitch _____

Ceiling Insulation _____
(If heated - example: R-38)

2x _____ ceiling joists @ _____ O.C.
(example: 2 x 8 @ 24" O.C.)

Double 2x _____ top plate
(example: 2 x 6)

Span _____
(example: 23' 5")

Ceiling height _____
(example: 8')

Siding _____
(example: lap or T-111)

Wall sheathing _____
(example: 1/2" exterior plywood)

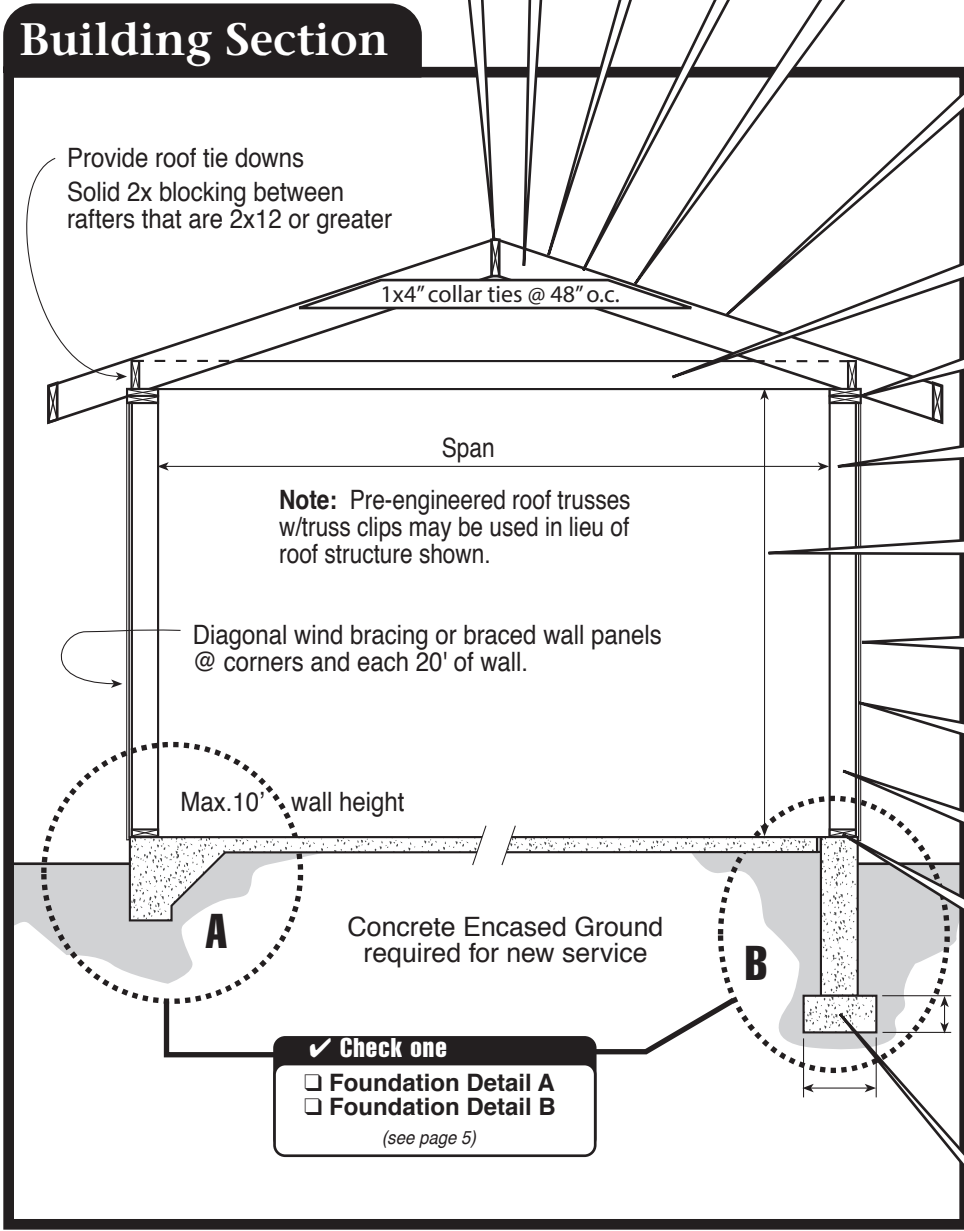
2x _____ studs @ _____ O.C.
(example: 2 x 6 @ 24" O.C.)

Cont. 2x _____ sill plate
(example: 2 x 6 decay resistant)

Wall Insulation _____
(If heated - example: R-20 Fiberglass Batts)

Foundation Insulation _____
(If heated - example: R-10)

Footing size _____ x _____
(example: 8" x 16")



Check one

Foundation Detail A

Foundation Detail B

(see page 5)

This handout was developed by the Colorado Chapter of the International Code Council as a basic plan submittal under the 2015 International Residential Code. It is not intended to cover all circumstances. Check with your Department of Building Safety for additional requirements.

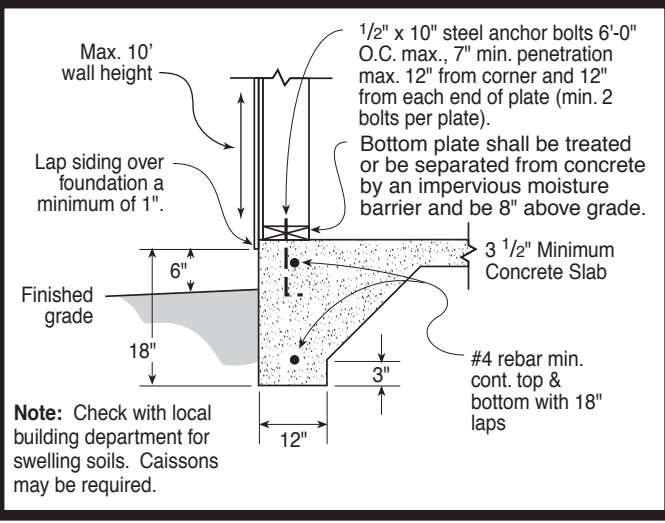


PARKER
COLORADO

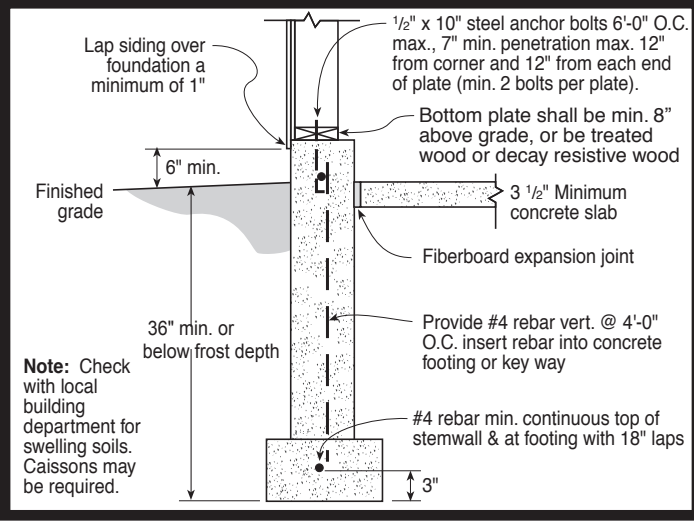
20120 Mainstreet, Parker, CO 80138
Phone 303-841-1970 email building@parkeronline.org

Single Family Residential One Story Detached Garage

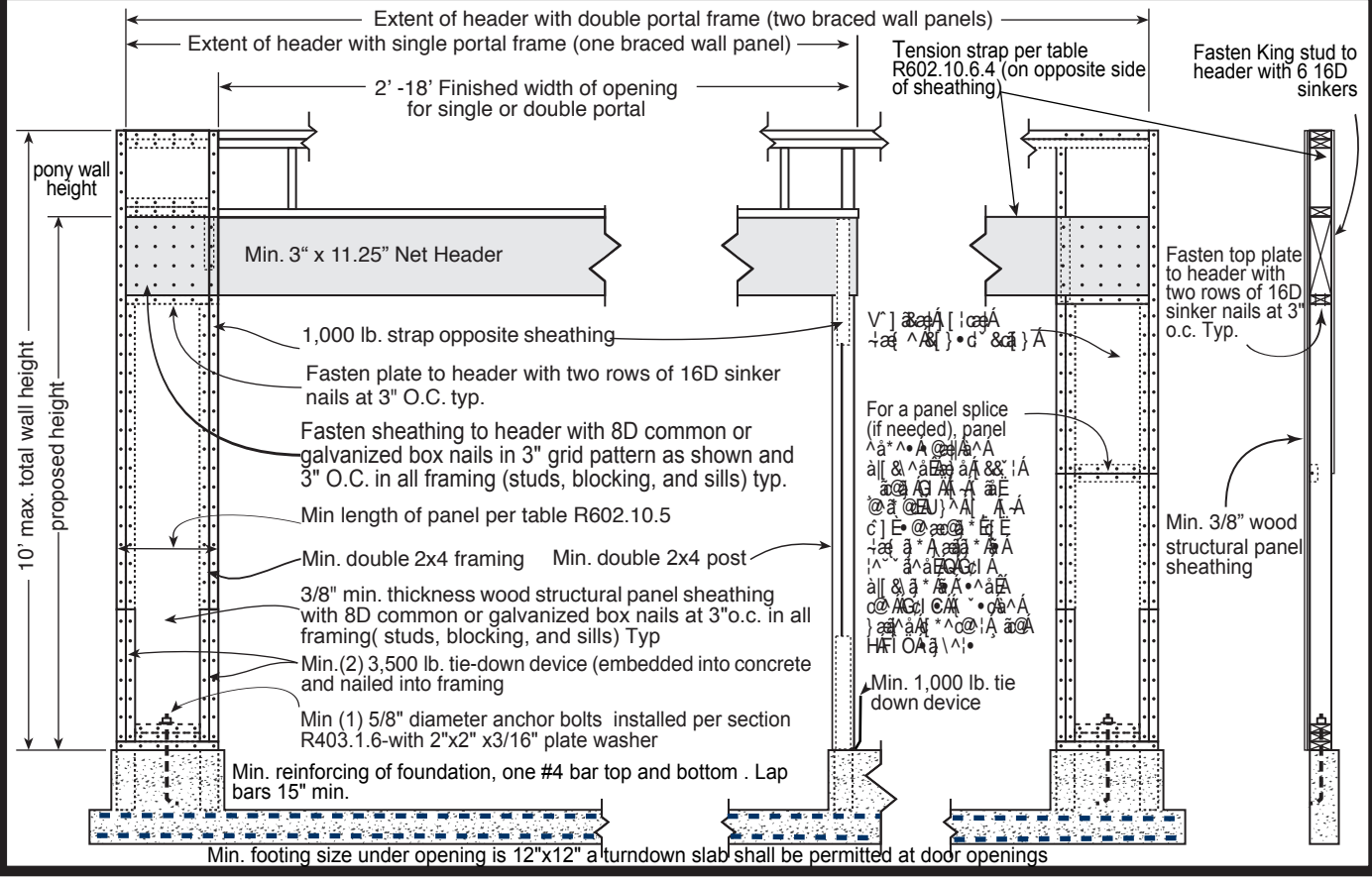
Foundation Detail A



Foundation Detail B



Braced Wall Panel Detail figure 602.10.6.2



This handout was developed by the Colorado Chapter of the International Code Council as a basic plan submittal under the 2015 International Residential Code. It is not intended to cover all circumstances. Check with your Department of Building Safety for additional requirements.



PARKER
COLORADO

20120 Mainstreet, Parker, CO 80138
Phone 303-841-1970 email building@parkeronline.org